

REVISIONS F (17/01/03)

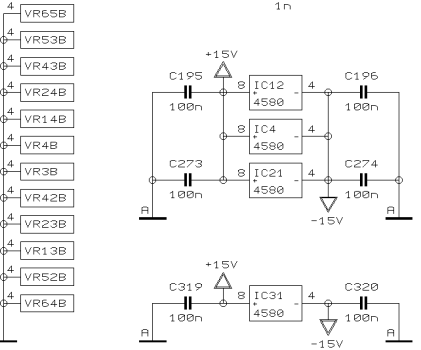
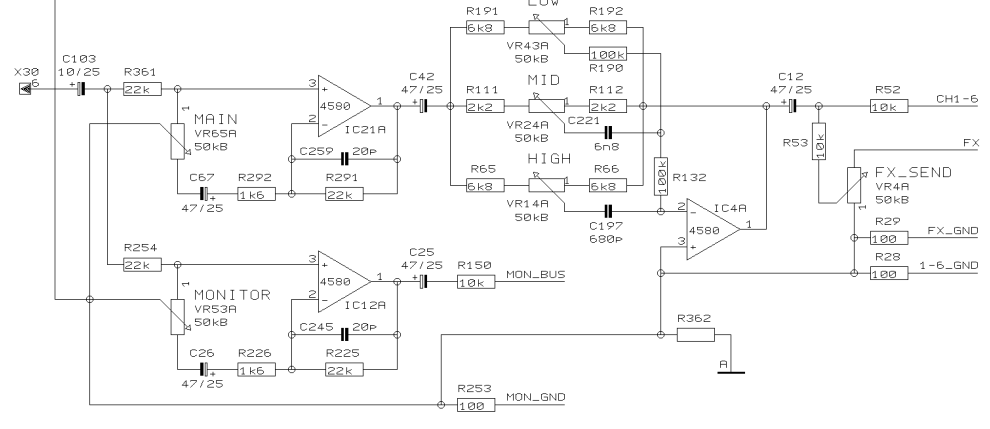
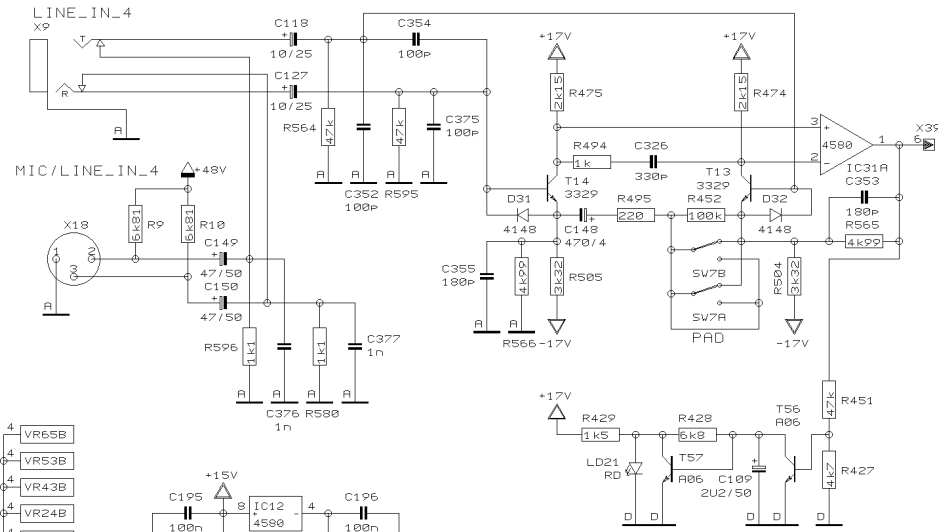
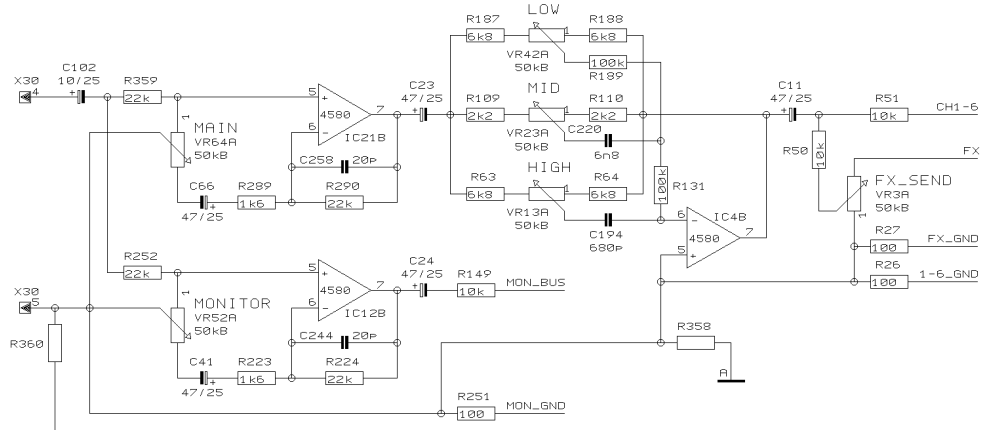
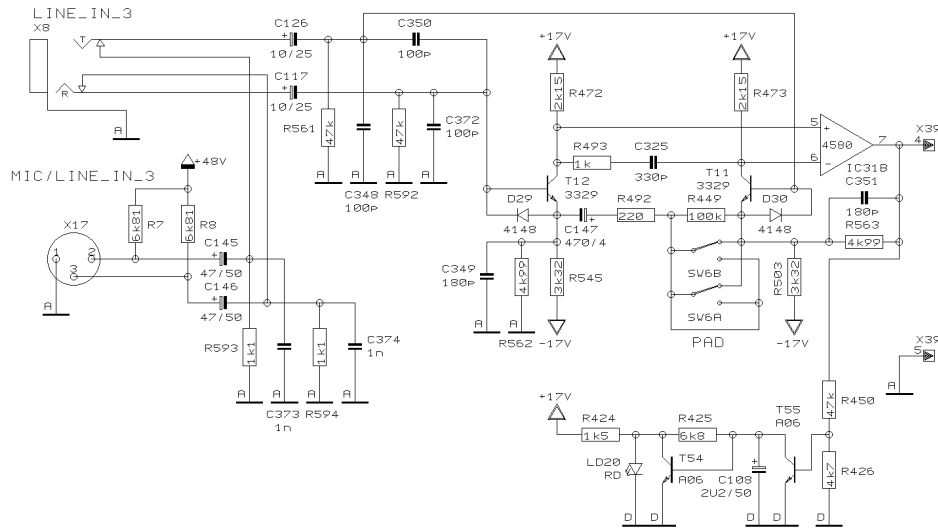
DRAWN BHK

CHECKED

DATE 04.03. 3
16:06



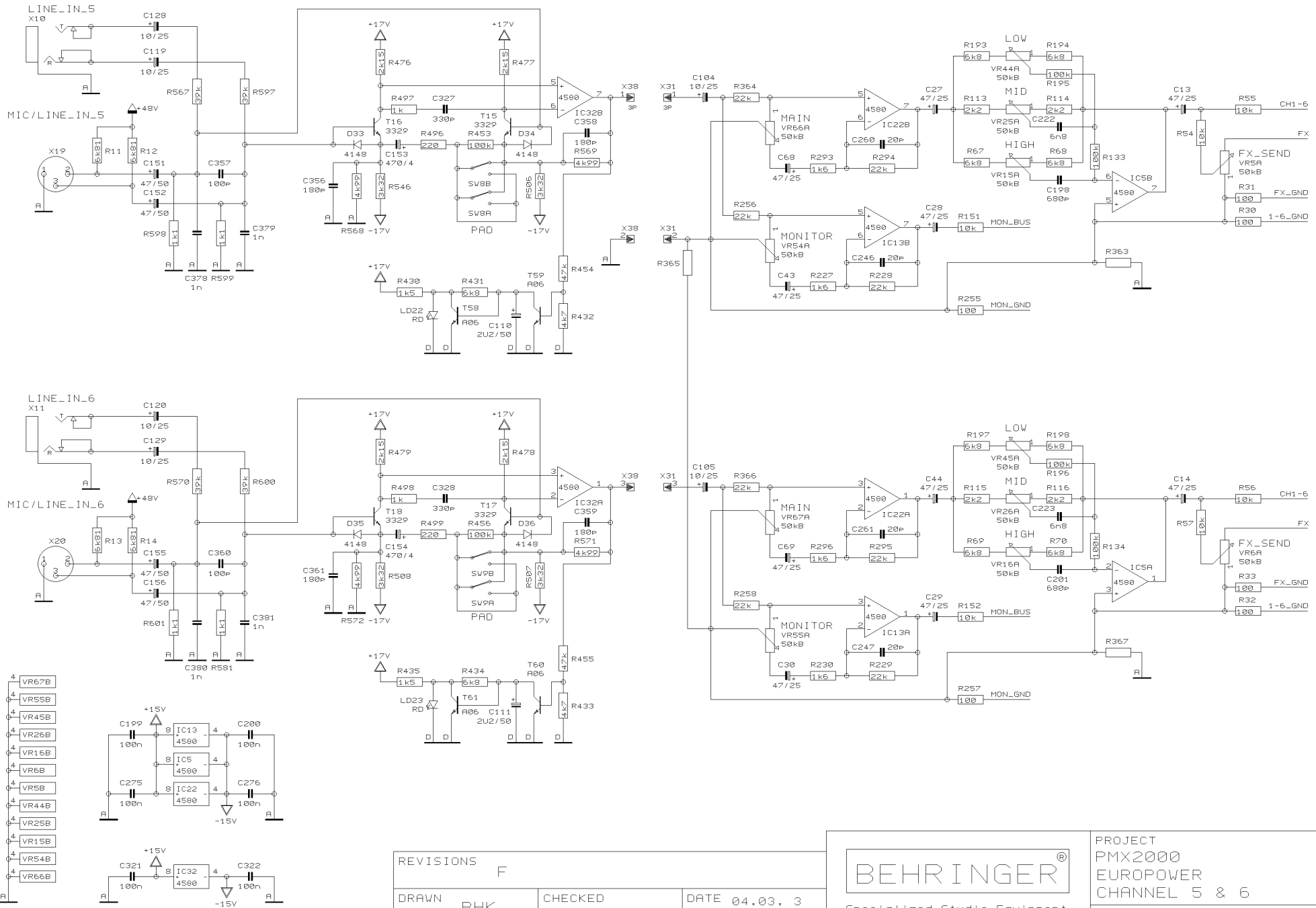
PROJECT PMX2000
EUROPOWER
CHANNEL 1 & 2
SHEET 1 OF 10 SHEETS TOTAL



REVISIONS	F
DRAWN	BHK
CHECKED	
DATE	04.03. 3 16:06



PROJECT
PMX2000
EUROPOWER
CHANNEL 3 & 4
SHEET 2 OF 10 SHEETS TOTAL



REVISIONS

F

DRAWN

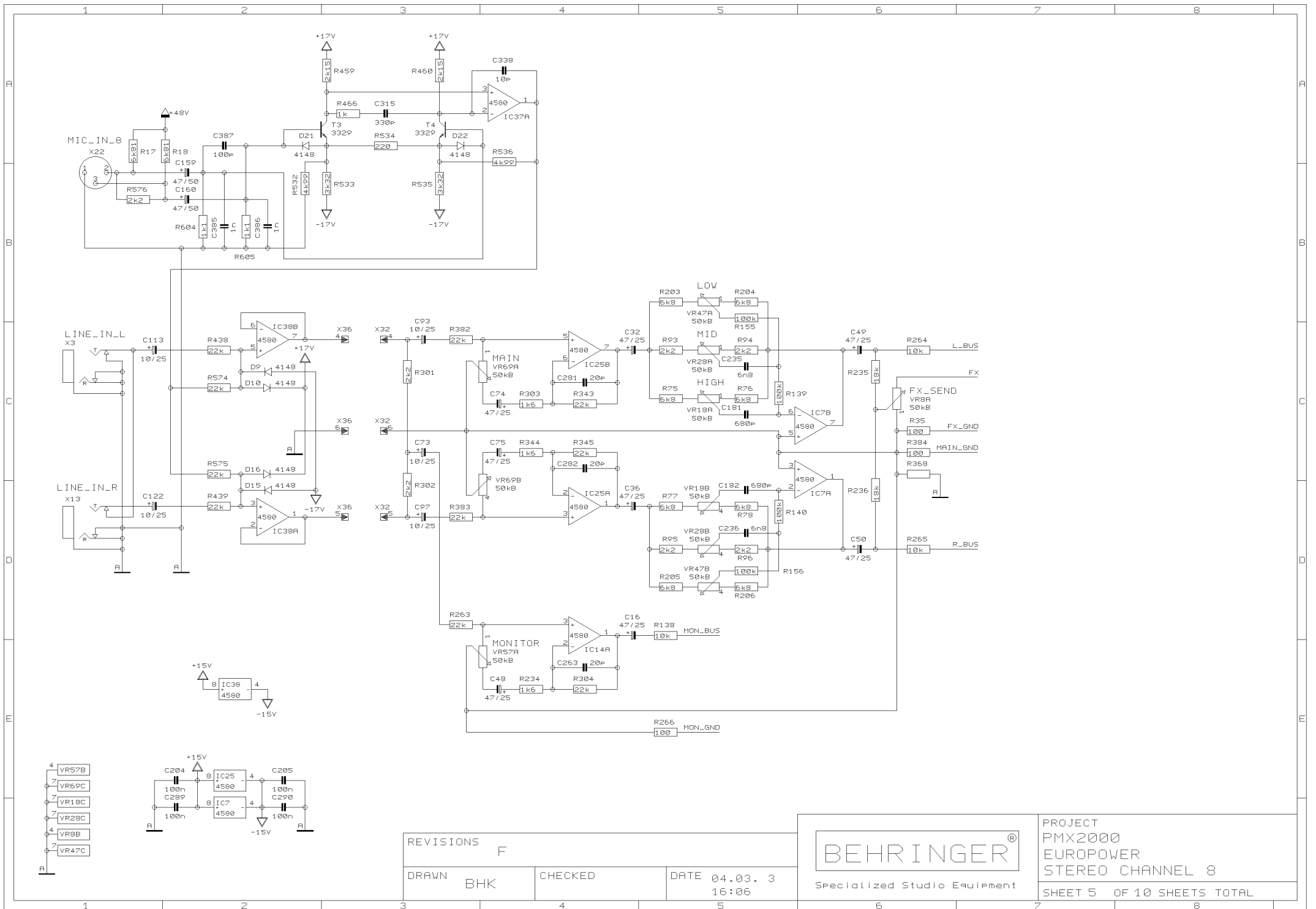
BHK

CHECKED

DATE 04.03. 3
16:06



PROJECT
PMX2000
EUROPOWER
CHANNEL 5 & 6
SHEET 3 OF 10 SHEETS TOTAL



REVISIONS

F

DRAWN

BHK

CHECKED

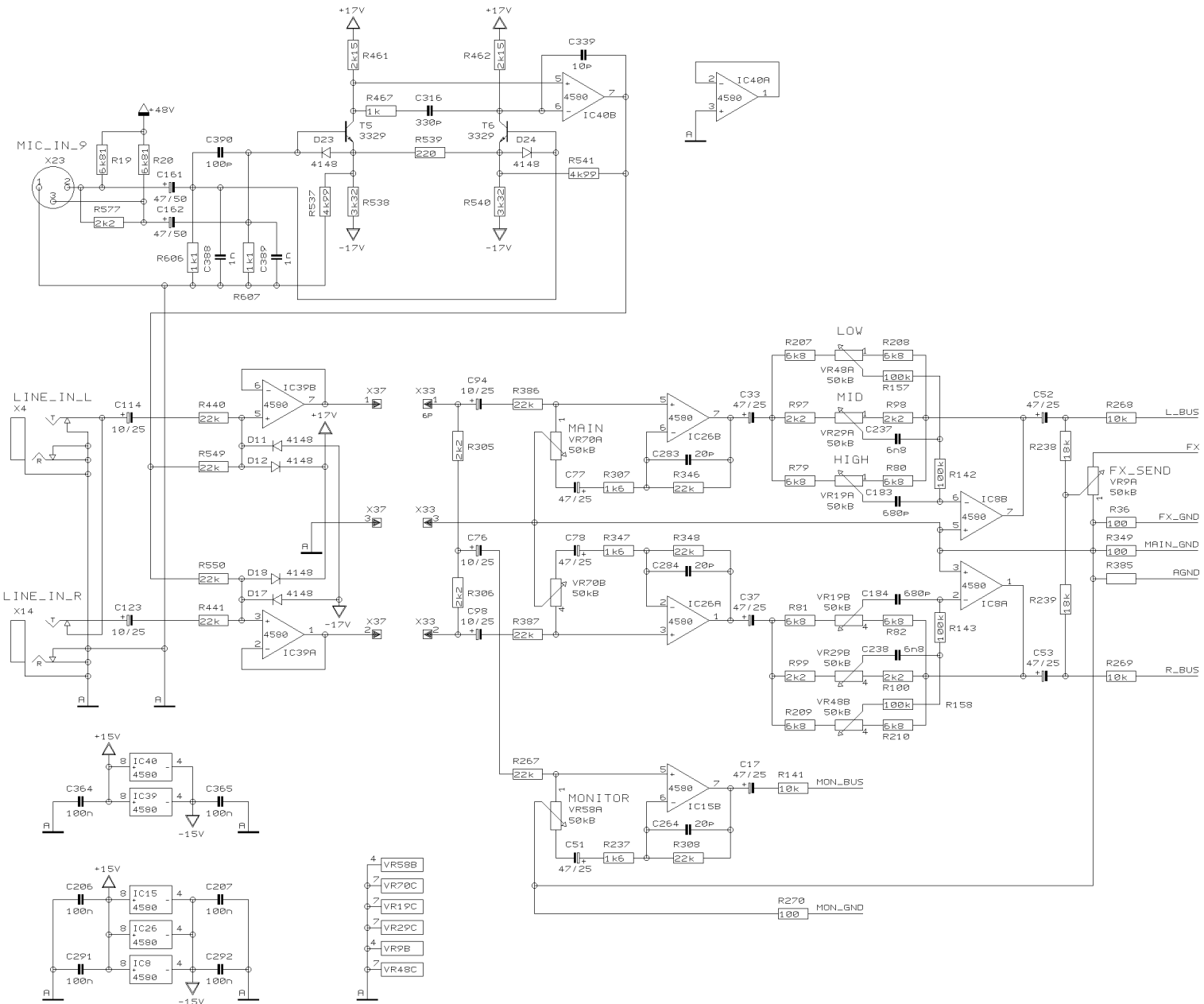
DATE 04.03. 3
16:06

BEHRINGER®

Specialized Studio Equipment

PROJECT
PMX2000
EUROPOWER
STEREO CHANNEL 8

SHEET 5 OF 10 SHEETS TOTAL



REVISIONS

F

DRAWN

BHK

CHECKED

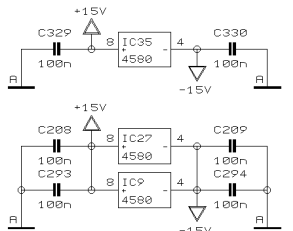
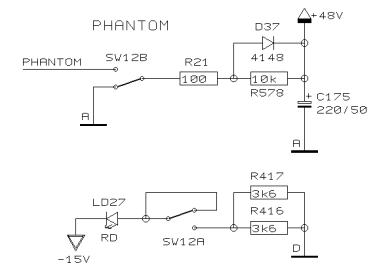
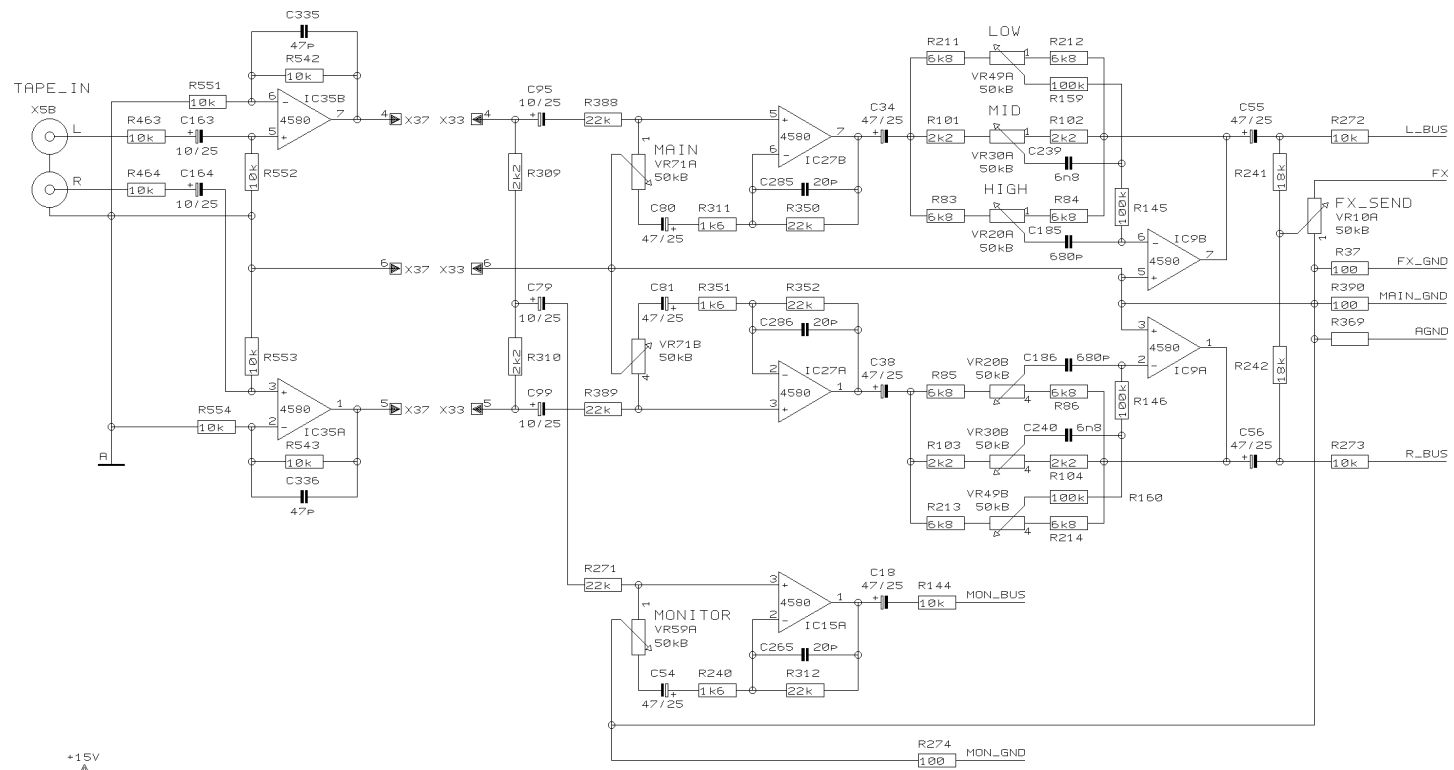
DATE 04.03. 3
16:06



Specialized Studio Equipment

PROJECT
PMX2000
EUROPOWER
STEREO CHANNEL 9

SHEET 6 OF 10 SHEETS TOTAL

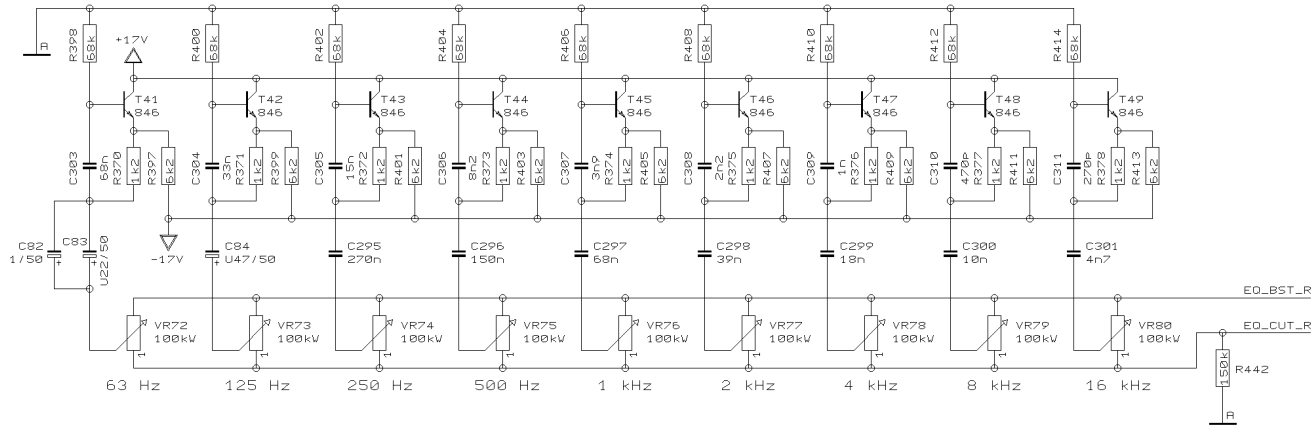
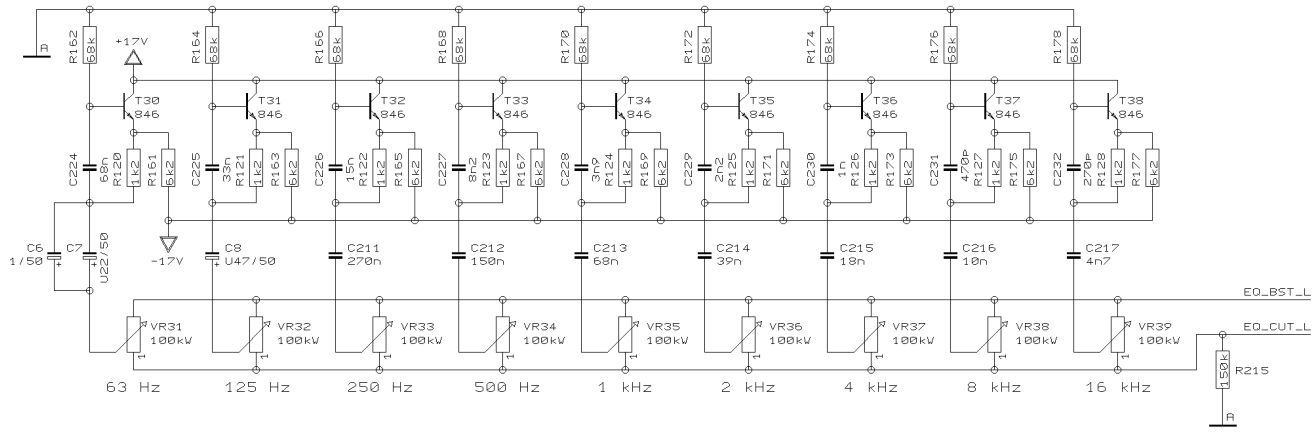


- 4 VR5PB
- 7 VR71C
- 7 VR20C
- 7 VR30C
- 4 VR10B
- 7 VR49C

REVISIONS		F	
DRAWN	BHK	CHECKED	DATE 04.03. 3 16:06



PROJECT
PMX2000
EUROPOWER
STEREO CHANNEL 10
SHEET 7 OF 10 SHEETS TOTAL



REVISIONS

F

DRAWN

BHK

CHECKED

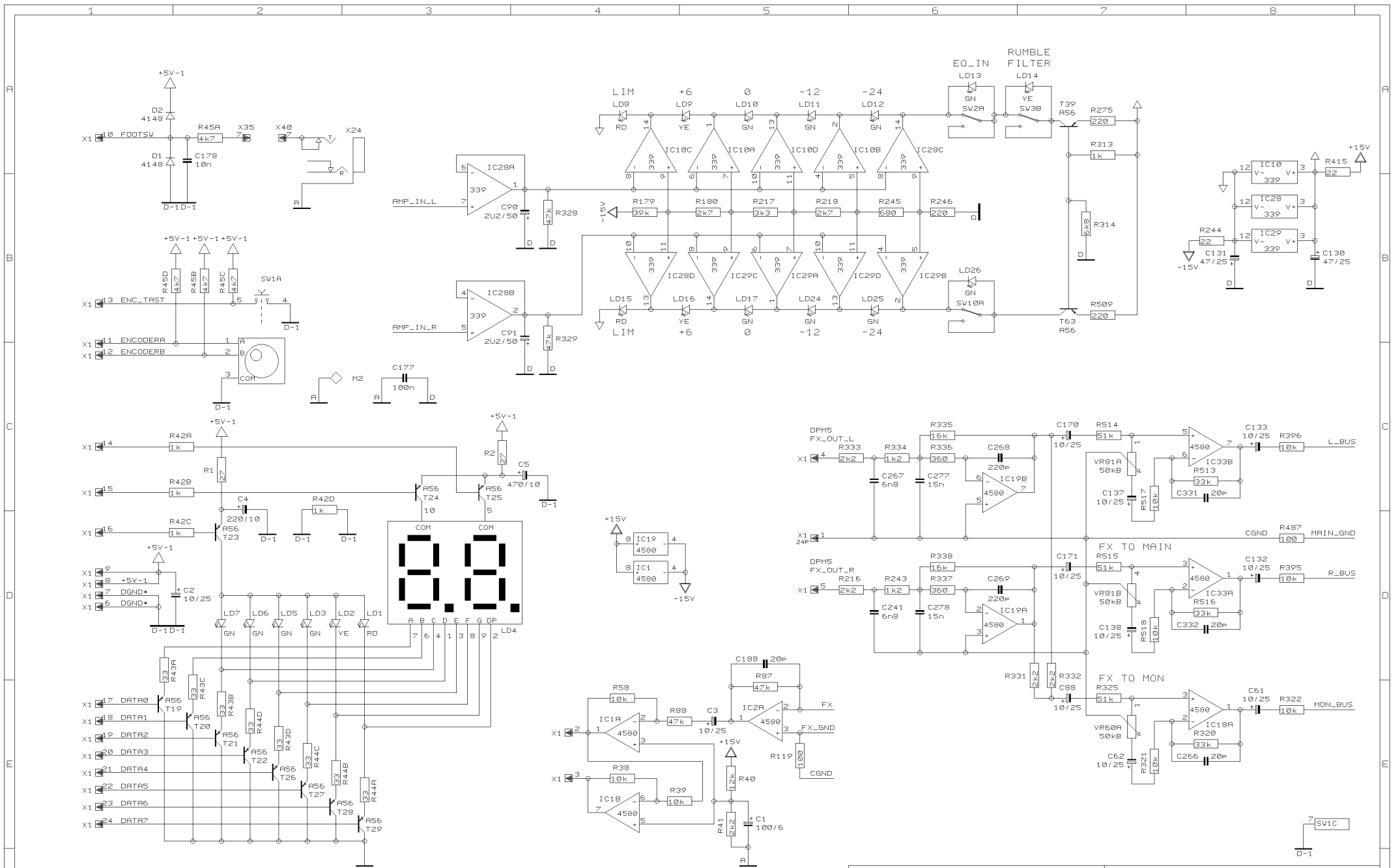
DATE 04.03. 3
16:06

BEHRINGER®

Specialized Studio Equipment

PROJECT
PMX2000
EUROPOWER
GRAPHIK EQ

SHEET 8 OF 10 SHEETS TOTAL



REVISIONS		F	
DRAWN	BHK	CHECKED	DATE 04.03. 3 16:07



PROJECT
PMX2000
EUROPOWER
LED/FX SECTION
SHEET 10 OF 10 SHEETS TOTAL